

LEDXION MINIATURE SERIES

10W, 20W, 40W & 60W LED FLOODLIGHT



LEDXION K10111
(10-20W)



LEDXION K10112
(40W)



LEDXION K10113
(60W)

LUMINAIRE TECHNICAL DATA

LED Light Source:

- AC Multi-dice LED (10-20W)
- 18 LUMILEDS LUXEON Rebel ES (40W)
- 26 LUMILEDS LUXEON Rebel ES (60W)

Housing Material:

- Die-cast aluminium finished with durable polyester epoxy powder coating, Akzo Nobel RAL 9006

Diffuser:

- Anti glare high transparency frosted tempered glass

Operating Temperature:

- -30°C ~ +60°C

Power Supply:

- AC : 90 ~ 295V_{AC} 50 / 60Hz

Max System Power Consumption:

- LEDXION K10111: 11W & 22W
- LEDXION K10112: 41W
- LEDXION K10113: 61W

Classification:

- Class I Power Supply

Ingress Protection:

- IP65 (Lamp & Gear Compartments)

Nett Weight:

- 1.0kg (LEDXION K10111)
- 3.0kg (LEDXION K10112)
- 4.6kg (LEDXION K10113)

COMPLIANCE STANDARD

LED:

- LM 80

Driver:

- UL/CUL, CE, EN55015, EN61000, EN61457

Luminaire:

- LM 79, EN 60598-1, EN 60598-2-3, EN62471, EN62493, EN61000-3, EN61547

LED TECHNICAL DATA

Typical Luminous Flux & Efficiency @ 350 mA:

- 144lm

Max Junction Temperature:

- 150°C

Color Temperature:

- LEDXION K10111: 3000K & 6500K
- LEDXION K10112: 3500K & 5300K
- LEDXION K10113: 3500K & 5300K

LED Life Cycle:

- AC Multi-dice LED: 30, 000 hrs
- Phillips LUMILEDS LUXEON Rebel ES: 50, 000 hrs

APPLICATION

- Parking Areas
- Facade Lightings
- Sport Lightings
- Commercial Areas
- Residential Areas
- Shopping Malls

FEATURES



High Transparency Frosted
Tempered Glass Diffuser



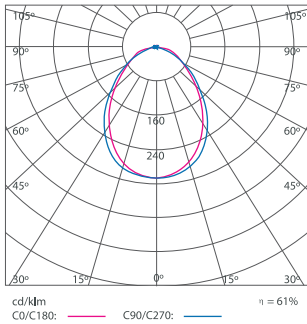
Excellent Thermal Conductivity
Die-Cast Housing

PHOTOMETRIC

Typical Luminous Flux:

- 10W - 540 lm (3000K)
- 720 lm (6500K)
- 20W - 820 lm (3000K)
- 1150 lm (6500K)

LEDXION K10111

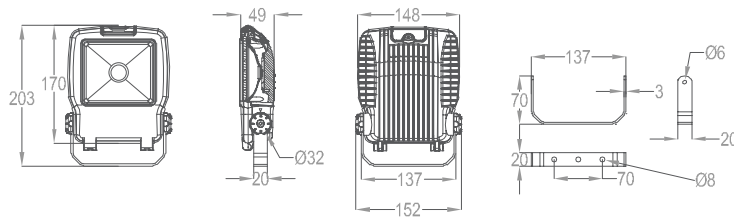


ORDER CODE

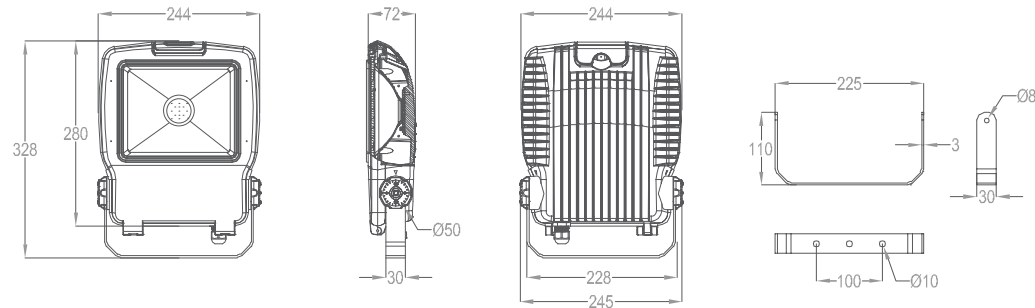
- 10W Miniature LED Floodlight - LEDXION K10111 10W
- 20W Miniature LED Floodlight - LEDXION K10111 20W
- 40W Miniature LED Floodlight - LEDXION K10112 40W
- 60W Miniature LED Floodlight - LEDXION K10113 60W

DIMENSION

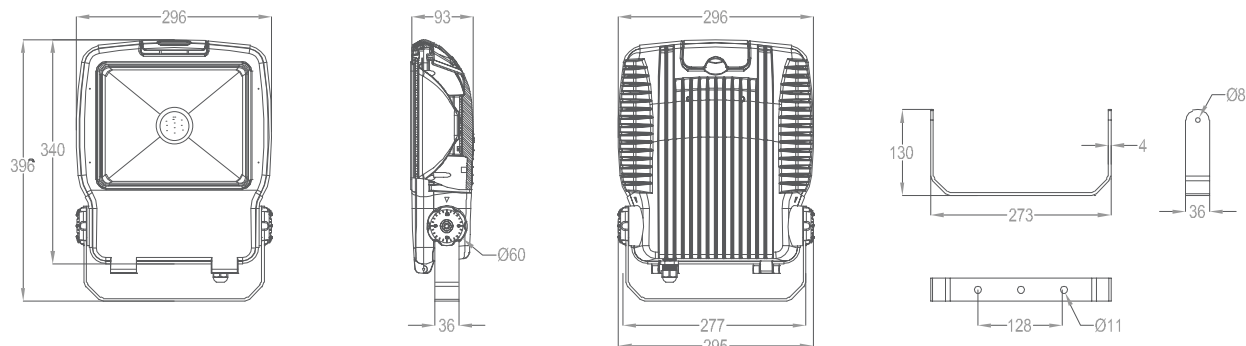
LEDXION K10111



LEDXION K10112



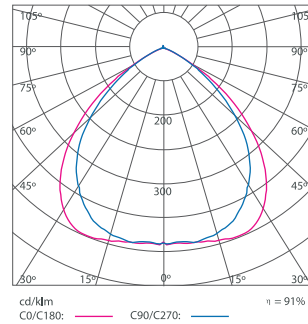
LEDXION K10113



Typical Luminous Flux:

- 40W - 3600 lm (5300K) - Wide
- 3550 lm (5300K) - Narrow

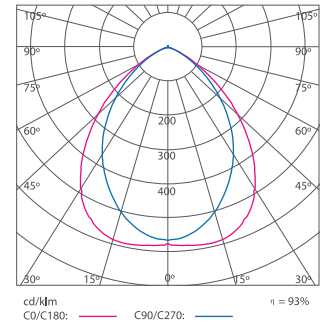
LEDXION K10112



Typical Luminous Flux:

- 60W - 5300 lm (5300K) - Wide
- 5100 lm (5300K) - Narrow

LEDXION K10113



* Please indicate color temperature when ordering

* Narrow beam version is available